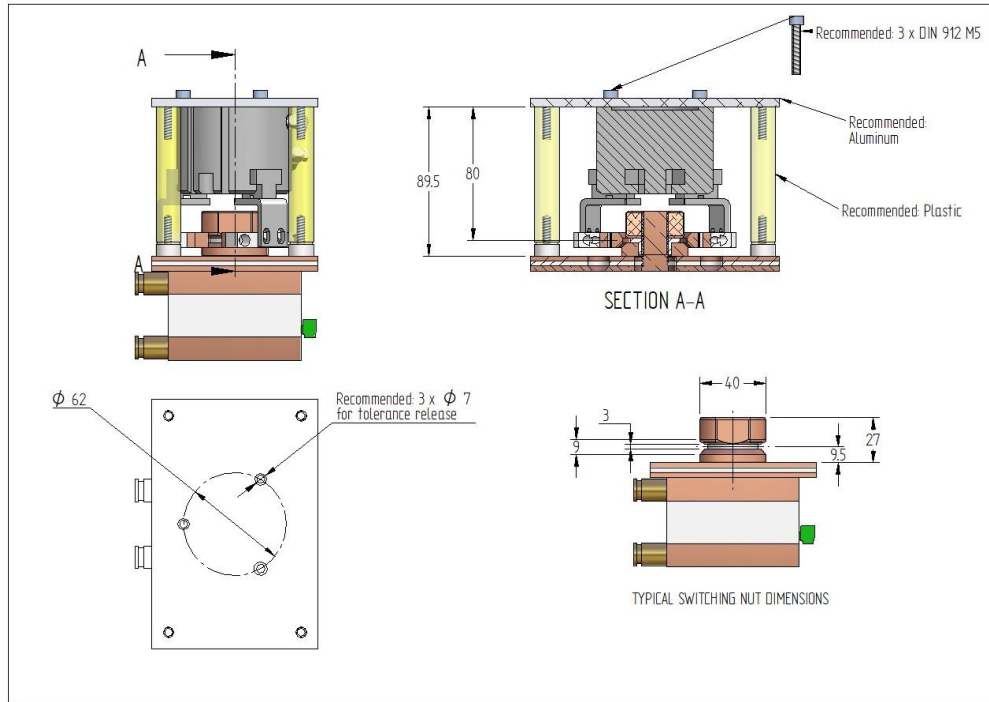


Celem automatic air switching kit.

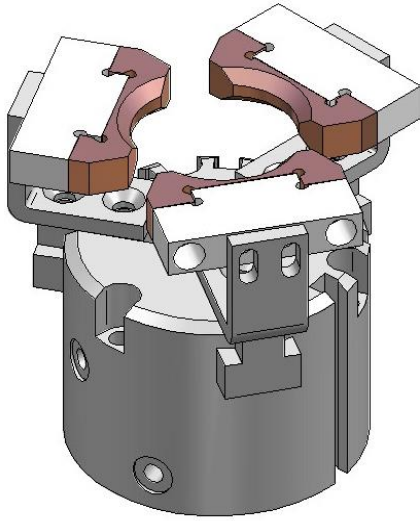


Typical mounting description

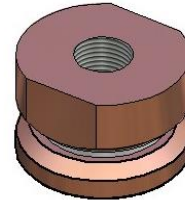
Kit content list:

- ✓ 1 air grippers MHS3-50D.
- ✓ 1 clamps set for MHS3-50D.
- ✓ 1 magnetic micro switches 3C-D-Z73 for MHS3-50D positioning system.
- ✓ 1 Switching nuts for C-CAP

Recommended air pressure 5-7 bars



Air gripper + clamp
X 1

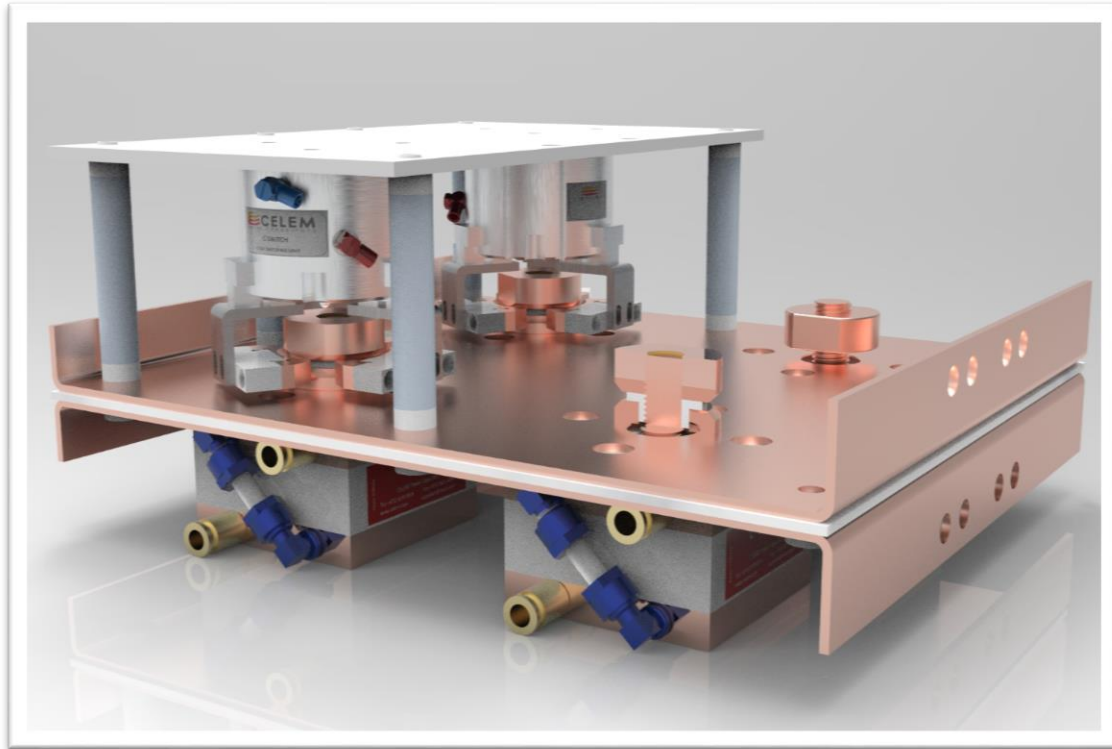


Switching nut
X1



Magnetic micro switch

X 1



Kit does not include the following needed parts:

- ✓ Mechanical construction (busbar, bridge for clamps, plastic pillars etc.)
- ✓ Air connector, nipples and air pipe.
- ✓ 24VDC air valves and hub
- ✓ 24VDC power supply



24VDC air solenoid valve and hub (nut included)